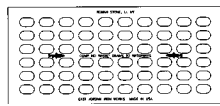


## 7590 CATCH BASIN INLET

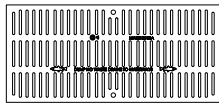
Heavy duty  
 Type M grate and T2 Type NS 8" height  
 Approximate 415 sq. in. open area

**Options**

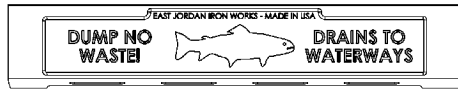
- 4", 6" 8" and 10" backs available
- "DUMP NO WASTE!" lettering and fish image
- Adjusting risers
- T10 mountable curb
- 7590M2 ADA grate
- Type M1 grate



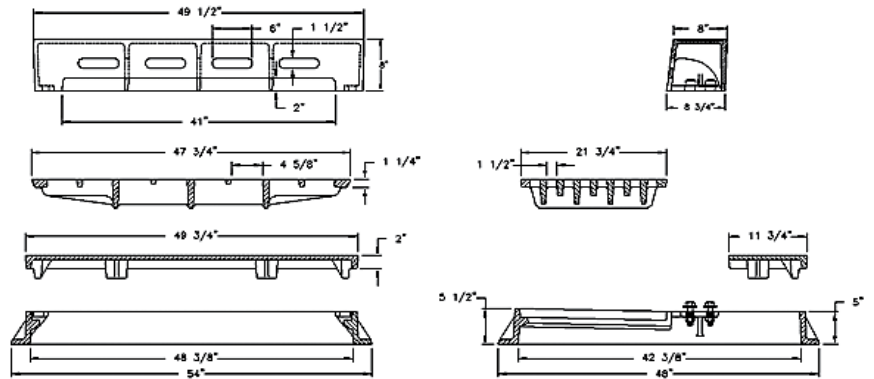
**Type M1 Grate**  
 Approx. 338 sq. in. open area



**Type M2 ADA Grate**  
 Heavy duty  
 Approx. 244 sq. in. open area



**T2 Back**



7590 Catch Basin Inlet

Back Type	Back Height
T5	Curb Inlet
T6	4
T7, T11	6
T8, T12	8
T9	10

Note: All dimensions are in inches.

Supplied By:



877-903-7246

www.trenchdrainsupply.com

